

**CONSTRUCTIVE PROPERTIES**

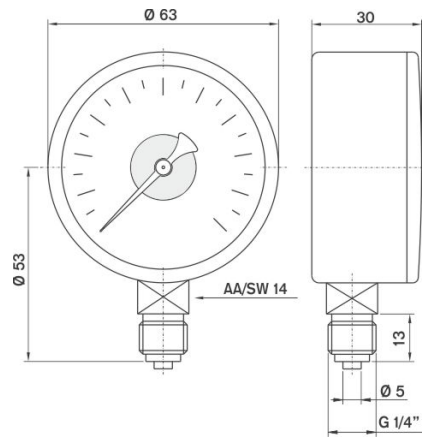
	STANDARD	OPTIONAL
Mounting Type	Bottom Connection	See Technical Drawing
Scale Unit	bar/psi	bar   psi   kg/cm <sup>2</sup>
Scale Range (PN)	0/2,5   0/4   0/40	
Case	Steel (Black Enamelled)	Plastic
Window	Polycarbonate	-
Movement	Brass	-
Wetted Parts	Copper Alloy	-
Connection	G 1/4" B	1/4" NPT
Dial	Aluminum	-
Pointer	Plastic	Aluminum
Welding	Soldering	Hard Soldering



**MG063DRM1-B/YG**  
Bottom Connection

**USAGE PROPERTIES**

Fluid Temperature	Maximum + 60 °C	Maximum + 120 °C
Ambient Temperature	- 20 ... + 60 °C	-
Operating Pressure (max.)	Must not exceed %75' of full scale.	
Over Pressure Limit	≤40 bar PN x 1.25	>40 bar PN x 1.15
Accuracy Class	CL 2.5	CL 1.6
Protection Rate	IP 41	-
Optimum Operating Range	Between 0,1 x PN and 0,75 x PN	
Storage Temperature	-40 ... +70 °C	-
Conformity	EN 837 - 1	-
Mechanical Shock Test Load	15g	-
Mechanical Vibration Test	10 Hz ile 150 Hz -1 oktav/dk. 2s / 3 eksende	



Model No: MG063DRM1-...BA25G4L1/YG

Bottom Connection

www.Laheghi.com